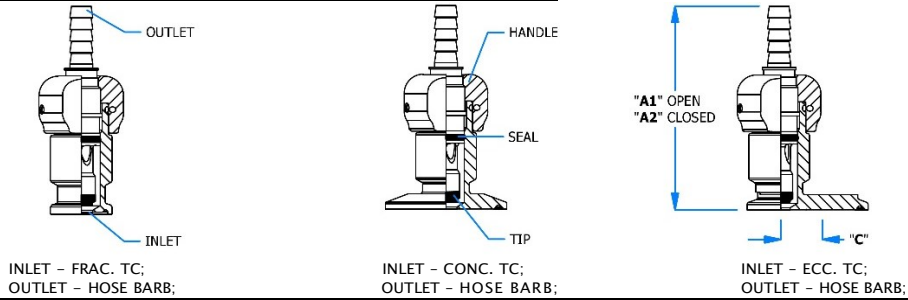


## SANITARY INLINE SAMPLE VALVES – SOLID HANDLE

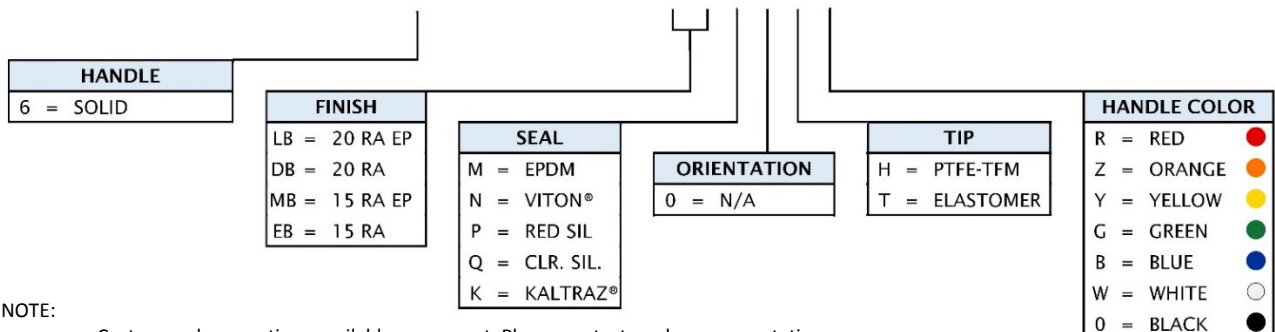


SANITARY INLINE SAMPLE VALVES – SOLID HANDLE (Ø 0.370" INLET BORE SIZE)					
3/8" HB OUTLET	INLET	PART #	"A1" DIM	"A2" DIM	"C" DIM
	0.5" & 0.75"	<b>6KGA2A*</b>	3.40"	3.25"	
	1.0" CONC.	6KGMA2A	3.40"	3.25"	
	1.0" ECC.	6KGM2A	3.40"	3.25"	0.222"
	1.5" CONC.	6KGA2A	3.40"	3.25"	
	1.5" ECC.	6KGD2A	3.40"	3.25"	0.472"
	2.0" CONC.	6KHA2A	3.40"	3.25"	
	2.0" ECC.	6KHAD2A	3.40"	3.25"	0.722"
	2.5" CONC.	6KHA2A	3.40"	3.25"	
	2.5" ECC.	6KHD2A	3.40"	3.25"	0.970"
	3.0" CONC.	6KJA2A	3.40"	3.25"	
	3.0" ECC.	6KJED2A	3.40"	3.25"	1.222"
4.0" CONC.	6KJA2A	3.40"	3.25"		
4.0" ECC.	6KJED2A	3.40"	3.25"	1.704"	
1/2" HB OUTLET	INLET	PART #	"A1" DIM	"A2" DIM	"C" DIM
	0.5" & 0.75"	6KGA2A	3.40"	3.25"	
	1.0" CONC.	6KNA2A	3.40"	3.25"	
	1.0" ECC.	6KND2A	3.40"	3.25"	0.222"
	1.5" CONC.	6KGA2A	3.40"	3.25"	
	1.5" ECC.	6KGD2A	3.40"	3.25"	0.472"
	2.0" CONC.	6KHA2A	3.40"	3.25"	
	2.0" ECC.	6KHD2A	3.40"	3.25"	0.722"
	2.5" CONC.	6KHA2A	3.40"	3.25"	
	2.5" ECC.	6KHD2A	3.40"	3.25"	0.970"
	3.0" CONC.	6KJA2A	3.40"	3.25"	
	3.0" ECC.	6KJED2A	3.40"	3.25"	1.222"
4.0" CONC.	6KJA2A	3.40"	3.25"		
4.0" ECC.	6KJED2A	3.40"	3.25"	1.704"	

## SANITARY INLINE SAMPLE VALVES – SOLID HANDLE CONFIGURATION

EXAMPLE: PART# **6KGA2A\*** – 3/8" HB OUTLET X 0.5" TC INLET INLINE SAMPLE VALVE

**6 K G G A 2 A - - - 0 - - -**



NOTE:

Custom end connections available on request. Please contact a sales representative.

VITON® is a registered trademark of DuPont Performance Elastomers.  
KALTRAZ® is a registered trademark of Advant O Seal.

## SANITARY INLINE SAMPLE VALVES – SOLID HANDLE – SPARES

SAMPLE VALVE SPARE SEALS FOR STEM CAN BE ORDERED IN TWO PACKAGING TYPES DEPENDING ON INVENTORY REQUIREMENTS TO SUIT CUSTOMER NEEDS.

SEALS FOR STEM					
SEAL MATERIAL			PART #		
			SET		KIT
TEFLON® TIP	TEFLON® TIP	— EPDM O-RING	6K0003M	— SET	6K0003M — KIT
	TEFLON® TIP	— VITON® O-RING	6K0003N	— SET	6K0003N — KIT
	TEFLON® TIP	— RED SIL. O-RING	6K0003P	— SET	6K0003P — KIT
	TEFLON® TIP	— CLR. SIL. O-RING	6K0003Q	— SET	6K0003Q — KIT
	TEFLON® TIP	— KALTRAZ® O-RING	6K0003K	— SET	6K0003K — KIT
ELASTOMER TIP	EPDM TIP	— EPDM O-RING	6K0002M	— SET	6K0002M — KIT
	VITON® TIP	— VITON® O-RING	6K0002N	— SET	6K0002N — KIT
	RED SIL. TIP	— RED SIL. O-RING	6K0002P	— SET	6K0002P — KIT
	CLR SIL. TIP	— CLR. SIL. O-RING	6K0002Q	— SET	6K0002Q — KIT
	KALTRAZ® TIP	— KALTRAZ® O-RING	6K0002K	— SET	6K0002K — KIT

**NOTES:**

- 1 SET CONTAINS = (1) TIP, (1) O-RING, (1) DOWEL PIN
- 1 KIT CONTAINS = (5) TIPS, (5) O-RINGS, (5) DOWEL PINS

STEM			
OUTLET	TIP	FINISH	
		20 RA	15 RA/EP
3/8" HB	TEFLON® TIP	6KBRWBADB	6KBRWBAMB
	ELASTOMER TIP	6KBRWTADB	6KBRWTAMB
1/2" HB	TEFLON® TIP	6KBUBWADB	6KBUBWBAMB
	ELASTOMER TIP	6KBUBWTADB	6KBUBWTAMB

**NOTES:**

- ELASTOMER IS USED AS A REFERENCE FOR MATERIALS LIKE EPDM, VITON®, RED SILICONE, CLEAR SILICONE AND KALTRAZ®

HANDLE	
HANDLE COLOR	PART #
RED	6C000DS — R
ORANGE	6C000DS — Z
YELLOW	6C000DS — Y
GREEN	6C000DS — G
BLUE	6C000DS — B
WHITE	6C000DS — W
BLACK	6C000DG — 0

LOCK SCREWS	
PART#	6B000HA

**NOTES:**

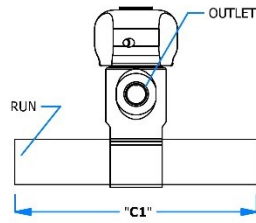
- 1 UNIT = (3) LOCK SCREWS + (1) ALLEN WRENCH

O-RING LUBE	
PART#	6Z0009

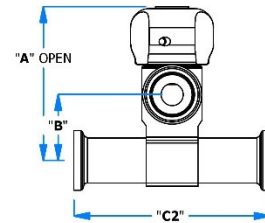
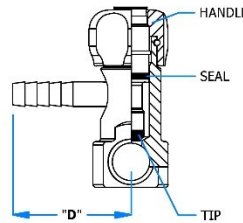
**NOTES:**

- PLEASE REFER TO FLT O-RING LUBE DATA SHEET FOR SPECIFICATION

**SANITARY ZERO STATIC TEE ANGLE SAMPLE VALVE – SOLID HANDLE**



INLET – AUTOWELD RUN;  
OUTLET – HOSE BARB;



INLET – TC RUN;  
OUTLET – TC;

**SANITARY ZERO STATIC TEE ANGLE SAMPLE VALVE – SOLID HANDLE (Ø 0.370" INLET BORE SIZE)**

3/8" HB OUTLET	A/W RUN	PART #	"A" DIM	"B" DIM	"C1" DIM	"D" DIM
	0.5"	<b>6EGCN2A*</b>	2.54"	1.00"	3.87"	1.94"
	0.75"	6EGGN2A	2.66"	1.12"	4.00"	1.94"
	1.0"	6EGMN2A	2.79"	1.25"	4.00"	1.94"
	1.5"	6EGTN2A	3.04"	1.51"	5.00"	1.94"
	2.0"	6EHAN2A	3.29"	1.75"	7.20"	1.94"
	2.5"	6EHKN2A	3.54"	2.00"	7.20"	1.94"
	3.0"	6EJEN2A	3.79"	2.25"	9.20"	1.94"
4.0"	6EJUN2A	4.26"	2.72"	11.20"	1.94"	

3/8" HB OUTLET	TC RUN	PART #	"A" DIM	"B" DIM	"C2" DIM	"D" DIM
	0.5"	6EGCR2A	2.54"	1.00"	3.12"	1.94"
	0.75"	6EGGR2A	2.66"	1.12"	3.26"	1.94"
	1.0"	6EGMR2A	2.79"	1.25"	3.25"	1.94"
	1.5"	6EGTR2A	3.04"	1.51"	3.45"	1.94"
	2.0"	6EHAR2A	3.29"	1.75"	3.45"	1.94"
	2.5"	6EHKR2A	3.54"	2.00"	3.45"	1.94"
	3.0"	6EJER2A	3.79"	2.25"	3.45"	1.94"
4.0"	6EJUR2A	4.26"	2.72"	3.45"	1.94"	

3/8" TUBE OUTLET	A/W RUN	PART #	"A" DIM	"B" DIM	"C1" DIM	"D" DIM
	0.5"	6EGCP2A	2.54"	1.00"	3.87"	2.75"
	0.75"	6EGGP2A	2.66"	1.12"	4.00"	2.75"
	1.0"	6EGMP2A	2.79"	1.25"	4.00"	2.75"
	1.5"	6EGTP2A	3.04"	1.51"	5.00"	2.75"
	2.0"	6EHAP2A	3.29"	1.75"	7.20"	2.75"
	2.5"	6EHKP2A	3.54"	2.00"	7.20"	2.75"
	3.0"	6EJEP2A	3.79"	2.25"	9.20"	2.75"
4.0"	6EJUP2A	4.26"	2.72"	11.20"	2.75"	

3/8" TUBE OUTLET	TC RUN	PART #	"A" DIM	"B" DIM	"C2" DIM	"D" DIM
	0.5"	6EGCS2A	2.54"	1.00"	3.12"	2.75"
	0.75"	6EGGS2A	2.66"	1.12"	3.26"	2.75"
	1.0"	6EGMS2A	2.79"	1.25"	3.25"	2.75"
	1.5"	6EGTS2A	3.04"	1.51"	3.45"	2.75"
	2.0"	6EHAS2A	3.29"	1.75"	3.45"	2.75"
	2.5"	6EHKS2A	3.54"	2.00"	3.45"	2.75"
	3.0"	6EJES2A	3.79"	2.25"	3.45"	2.75"
4.0"	6EJUS2A	4.26"	2.72"	3.45"	2.75"	

**SANITARY ZERO STATIC TEE ANGLE SAMPLE VALVE – SOLID HANDLE**

SANITARY ZERO STATIC TEE ANGLE SAMPLE VALVE – SOLID HANDLE (Ø 0.370" INLET BORE SIZE)						
1/2" HB OUTLET	A/W RUN	PART #	"A" DIM	"B" DIM	"C1" DIM	"D" DIM
	0.5"	6EBUN2A	2.54"	0.98"	3.87"	1.94"
	0.75"	6EGHN2A	2.66"	1.10"	4.00"	1.94"
	1.0"	6EGNN2A	2.79"	1.23"	4.00"	1.94"
	1.5"	6EGUN2A	3.04"	1.49"	5.00"	1.94"
	2.0"	6EHBN2A	3.29"	1.73"	7.20"	1.94"
	2.5"	6EHLN2A	3.54"	1.98"	7.20"	1.94"
	3.0"	6EJFN2A	3.79"	2.23"	9.20"	1.94"
4.0"	6EJVN2A	4.26"	2.70"	11.20"	1.94"	

1/2" TUBE OUTLET	TC RUN	PART #	"A" DIM	"B" DIM	"C2" DIM	"D" DIM
	0.5"	6EBUS2A	2.54"	0.97"	3.12"	2.75"
	0.75"	6EGHS2A	2.66"	1.09"	3.26"	2.75"
	1.0"	6EGNS2A	2.79"	1.22"	3.25"	2.75"
	1.5"	6EGUS2A	3.04"	1.48"	3.45"	2.75"
	2.0"	6EHBS2A	3.29"	1.72"	3.45"	2.75"
	2.5"	6EHLS2A	3.54"	1.97"	3.45"	2.75"
	3.0"	6EJFS2A	3.79"	2.22"	3.45"	2.75"
4.0"	6EJVS2A	4.26"	2.69"	3.45"	2.75"	

1/2" TUBE OUTLET	A/W RUN	PART #	"A" DIM	"B" DIM	"C1" DIM	"D" DIM
	0.5"	6EBUP2A	2.54"	0.97"	3.87	2.75"
	0.75"	6EGHP2A	2.66"	1.09"	4.00	2.75"
	1.0"	6EGNP2A	2.79"	1.22"	4.00	2.75"
	1.5"	6EGUP2A	3.04"	1.48"	5.00	2.75"
	2.0"	6EHBP2A	3.29"	1.72"	7.20	2.75"
	2.5"	6EHLP2A	3.54"	1.97"	7.20	2.75"
	3.0"	6EJFP2A	3.79"	2.22"	9.20	2.75"
4.0"	6EJVP2A	4.26"	2.69"	11.20"	2.75"	

1/2" HB OUTLET	TC RUN	PART #	"A" DIM	"B" DIM	"C2" DIM	"D" DIM
	0.5"	6EBUR2A	2.54"	0.98"	3.12	1.94"
	0.75"	6EGHR2A	2.66"	1.10"	3.26	1.94"
	1.0"	6EGNR2A	2.79"	1.23"	3.25	1.94"
	1.5"	6EGUR2A	3.04"	1.49"	3.45	1.94"
	2.0"	6EHBR2A	3.29"	1.73"	3.45	1.94"
	2.5"	6EHLR2A	3.54"	1.98"	3.45	1.94"
	3.0"	6EJFR2A	3.79"	2.23"	3.45	1.94"
4.0"	6EJVR2A	4.26"	2.70"	3.45	1.94"	

1/2" TC OUTLET	AW RUN	PART #	"A" DIM	"B" DIM	"C1" DIM	"D" DIM
	0.5"	6EBUQ2A	2.54"	0.97"	3.87"	2.75"
	0.75"	6EGHQ2A	2.66"	1.09"	4.00"	2.75"
	1.0"	6EGNQ2A	2.79"	1.22"	4.00"	2.75"
	1.5"	6EGUQ2A	3.04"	1.48"	5.00"	2.75"
	2.0"	6EHBQ2A	3.29"	1.72"	7.20"	2.75"
	2.5"	6EHLQ2A	3.54"	1.97"	7.20"	2.75"
	3.0"	6EJFQ2A	3.79"	2.22"	9.20"	2.75"
4.0"	6EJVQ2A	4.26"	2.69"	11.20"	2.75"	

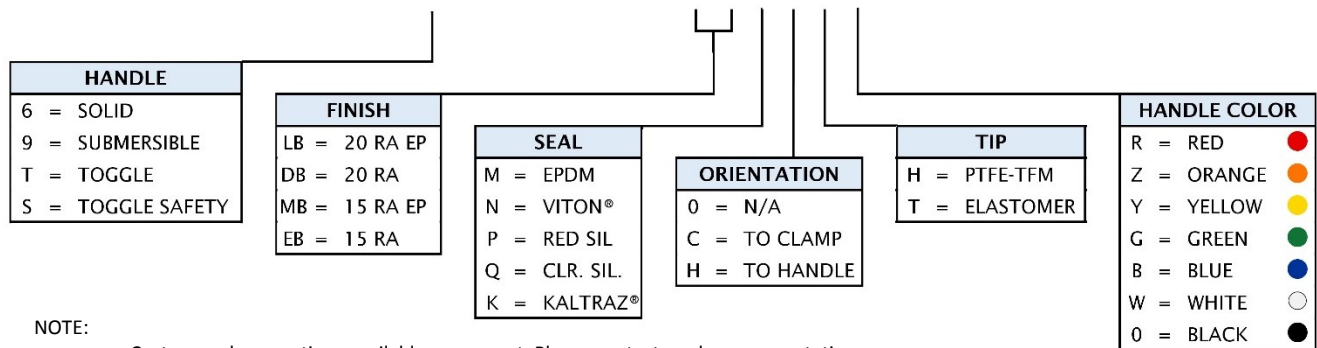
**SANITARY ZERO STATIC TEE ANGLE SAMPLE VALVE – SOLID HANDLE**

SAMPLE VALVE-ZERO STATIC TEE ANGLE-SOLID HANDLE (Ø 0.370" INLET BORE SIZE)						
	TC RUN	PART #	"A" DIM	"B" DIM	"C2" DIM	"D" DIM
1/2" TC OUTLET	0.5"	6EBUT2A	2.54"	0.97"	3.12"	2.75"
	0.75"	6EGHT2A	2.66"	1.09"	3.26"	2.75"
	1.0"	6EGNT2A	2.79"	1.22"	3.25"	2.75"
	1.5"	6EGUT2A	3.04"	1.48"	3.45"	2.75"
	2.0"	6EHBT2A	3.29"	1.72"	3.45"	2.75"
	2.5"	6EHLT2A	3.54"	1.97"	3.45"	2.75"
	3.0"	6EJFT2A	3.79"	2.22"	3.45"	2.75"
	4.0"	6EJVT2A	4.26"	2.69"	3.45"	2.75"

**SANITARY ZERO STATIC TEE ANGLE SAMPLE VALVE – SOLID HANDLE CONFIGURATION**

EXAMPLE: PART# **6EGCN2A\*** – 3/8" HB OUTLET X 0.5" AUTOWELDED RUN INLET ZERO STATIC TEE ANGLE SAMPLE VALVE

**6 E G C N 2 A** \_ \_ \_ \_ \_



NOTE:

Custom end connections available on request. Please contact a sales representative.

VITON® is a registered trademark of DuPont Performance Elastomers.  
KALTRAZ® is a registered trademark of Advant O Seal.

## SANITARY ZERO STATIC TEE ANGLE SAMPLE VALVES – SOLID HANDLE – SPARES

SAMPLE VALVE SPARE SEALS FOR STEM CAN BE ORDERED IN TWO PACKAGING TYPES DEPENDING ON INVENTORY REQUIREMENTS TO SUIT CUSTOMER NEEDS.

SEALS FOR STEM					
SEAL MATERIAL			PART #		
			SET		KIT
TEFLON® TIP	TEFLON® TIP	— EPDM O-RING	6E0003M	— SET	6E0003M — KIT
	TEFLON® TIP	— VITON® O-RING	6E0003N	— SET	6E0003N — KIT
	TEFLON® TIP	— RED SIL. O-RING	6E0003P	— SET	6E0003P — KIT
	TEFLON® TIP	— CLR. SIL. O-RING	6E0003Q	— SET	6E0003Q — KIT
	TEFLON® TIP	— KALTRAZ® O-RING	6E0003K	— SET	6E0003K — KIT
ELASTOMER TIP	EPDM TIP	— EPDM O-RING	6E0002M	— SET	6E0002M — KIT
	VITON® TIP	— VITON® O-RING	6E0002N	— SET	6E0002N — KIT
	RED SIL. TIP	— RED SIL. O-RING	6E0002P	— SET	6E0002P — KIT
	CLR SIL. TIP	— CLR. SIL. O-RING	6E0002Q	— SET	6E0002Q — KIT
	KALTRAZ® TIP	— KALTRAZ® O-RING	6E0002K	— SET	6E0002K — KIT

**NOTES:**

- 1 SET CONTAINS = (1) TIP, (1) O-RING, (1) DOWEL PIN
- 1 KIT CONTAINS = (5) TIPS, (5) O-RINGS, (5) DOWEL PINS

STEM		
TIP	FINISH	
	20 RA	15 RA/EP
TEFLON® TIP	6C000BADB	6C000BAMB
ELASTOMER TIP	6C000TADB	6C000TAMB

**NOTES:**

- ELASTOMER IS USED AS A REFERENCE FOR MATERIALS LIKE EPDM, VITON®, RED SILICONE, CLEAR SILICONE AND KALTRAZ®

HANDLE	
HANDLE COLOR	PART #
RED	6C000DS — R
ORANGE	6C000DS — Z
YELLOW	6C000DS — Y
GREEN	6C000DS — G
BLUE	6C000DS — B
WHITE	6C000DS — W
BLACK	6C000DG — 0

LOCK SCREWS	
PART#	6B000HA

**NOTES:**

- 1 UNIT = (3) LOCK SCREWS + (1) ALLEN WRENCH

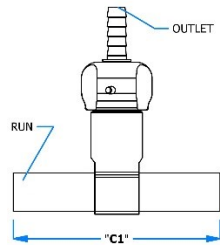
O-RING LUBE	
PART#	6Z0009

**NOTES:**

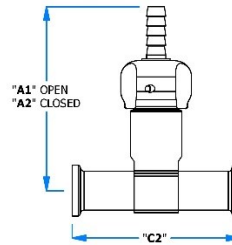
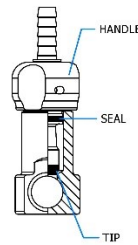
- PLEASE REFER TO FLT O-RING LUBE DATA SHEET FOR SPECIFICATION

Teflon® is a registered trademark of DuPont Fluorocarbon Resins. VITON® is a registered trademark of DuPont Performance Elastomers. KALTRAZ® is a registered trademark of Advant O Seal.

**SANITARY ZERO STATIC TEE INLINE SAMPLE VALVES – SOLID HANDLE**



INLET – AUTOWELDED RUN;  
OUTLET – HOSE BARB;



INLET – TC RUN;  
OUTLET – HOSE BARB;

**SANITARY ZERO STATIC TEE INLINE SAMPLE VALVES – SOLID HANDLE (Ø 0.370" INLET BORE SIZE)**

	A/W RUN	PART #	"A1" DIM	"A2" DIM	"C1" DIM
3/8" HB OUTLET	0.5"	6PGCN2A*	3.55"	3.40"	3.87"
	0.75"	6PGGN2A	3.67"	3.52"	4.00"
	1.0"	6PGMN2A	3.80"	3.75"	4.00"
	1.5"	6PGTN2A	4.05"	3.90"	5.00"
	2.0"	6PHAN2A	4.26"	4.11"	7.20"
	2.5"	6PHKN2A	4.55"	4.40"	7.20"
	3.0"	6PJEN2A	4.80"	4.65"	9.20"
	4.0"	6PJUN2A	5.27"	5.12"	11.20"

	TC RUN	PART #	"A1" DIM	"A2" DIM	"C2" DIM
3/8" HB OUTLET	0.5"	6PGCR2A	3.55"	3.40"	3.12"
	0.75"	6PGGR2A	3.67"	3.52"	3.26"
	1.0"	6PGMR2A	3.80"	3.75"	3.25"
	1.5"	6PGTR2A	4.05"	3.90"	3.45"
	2.0"	6PHAR2A	4.26"	4.11"	3.45"
	2.5"	6PHKR2A	4.55"	4.40"	3.45"
	3.0"	6PJER2A	4.80"	4.65"	3.45"
	4.0"	6PJUR2A	5.27"	5.12"	3.45"

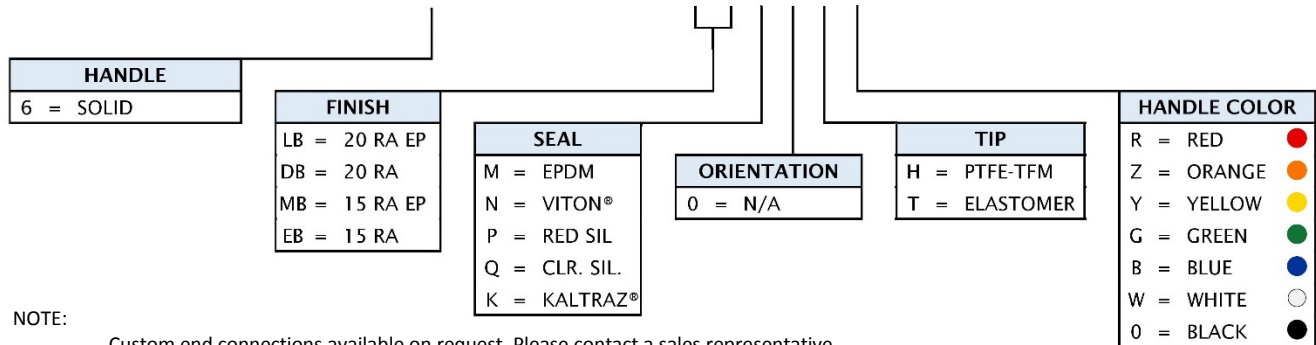
	A/W RUN	PART #	"A1" DIM	"A2" DIM	"C1" DIM
1/2" HB OUTLET	0.5"	6PBUN2A	3.55"	3.40"	3.87"
	0.75"	6PGHN2A	3.67"	3.52"	4.00"
	1.0"	6PGNN2A	3.80"	3.75"	4.00"
	1.5"	6PGUN2A	4.05"	3.90"	5.00"
	2.0"	6PHBN2A	4.26"	4.11"	7.20"
	2.5"	6PHLN2A	4.55"	4.40"	7.20"
	3.0"	6PJFN2A	4.80"	4.65"	9.20"
	4.0"	6PJVN2A	5.27"	5.12"	11.20"

	TC RUN	PART #	"A1" DIM	"A2" DIM	"C2" DIM
1/2" HB OUTLET	0.5"	6PBUR2A	3.55"	3.40"	3.12"
	0.75"	6PGHR2A	3.67"	3.52"	3.26"
	1.0"	6PGNR2A	3.80"	3.75"	3.25"
	1.5"	6PGUR2A	4.05"	3.90"	3.45"
	2.0"	6PHBR2A	4.26"	4.11"	3.45"
	2.5"	6PHLR2A	4.55"	4.40"	3.45"
	3.0"	6PJFR2A	4.80"	4.65"	3.45"
	4.0"	6PJVR2A	5.27"	5.12"	3.45"

**SANITARY ZERO STATIC TEE INLINE SAMPLE VALVES – SOLID HANDLE CONFIGURATION**

EXAMPLE: PART# **6PGCN2A**\* – 3/8" HB OUTLET X 0.5" AUTOWELD RUN INLET ZERO STATIC TEE INLINE SAMPLE VALVE

**6 P G C N 2 A \_ \_ \_ 0 \_ \_**



NOTE:

Custom end connections available on request. Please contact a sales representative.

VITON® is a registered trademark of DuPont Performance Elastomers.  
KALTRAZ® is a registered trademark of Advant O Seal.

## SANITARY ZERO STATIC TEE INLINE SAMPLE VALVES – SOLID HANDLE – SPARES

SAMPLE VALVE SPARE SEALS FOR STEM CAN BE ORDERED IN TWO PACKAGING TYPES DEPENDING ON INVENTORY REQUIREMENTS TO SUIT CUSTOMER NEEDS.

SEALS FOR STEM					
SEAL MATERIAL			PART #		
			SET		KIT
TEFLON® TIP	TEFLON® TIP	— EPDM O-RING	6P0003M	— SET	6P0003M — KIT
	TEFLON® TIP	— VITON® O-RING	6P0003N	— SET	6P0003N — KIT
	TEFLON® TIP	— RED SIL. O-RING	6P0003P	— SET	6P0003P — KIT
	TEFLON® TIP	— CLR. SIL. O-RING	6P0003Q	— SET	6P0003Q — KIT
	TEFLON® TIP	— KALTRAZ® O-RING	6P0003K	— SET	6P0003K — KIT
ELASTOMER TIP	EPDM TIP	— EPDM O-RING	6P000ZM	— SET	6P000ZM — KIT
	VITON® TIP	— VITON® O-RING	6P000ZN	— SET	6P000ZN — KIT
	RED SIL. TIP	— RED SIL. O-RING	6P000ZP	— SET	6P000ZP — KIT
	CLR SIL. TIP	— CLR. SIL. O-RING	6P000ZQ	— SET	6P000ZQ — KIT
	KALTRAZ® TIP	— KALTRAZ® O-RING	6P000ZK	— SET	6P000ZK — KIT

**NOTES:**

- 1 SET CONTAINS = (1) TIP, (1) O-RING, (1) DOWEL PIN
- 1 KIT CONTAINS = (5) TIPS, (5) O-RINGS, (5) DOWEL PINS

STEM			
OUTLET	TIP	FINISH	
		20 RA	15 RA/EP
3/8" HB	TEFLON® TIP	6KBRWBADB	6KBRWBAMB
	ELASTOMER TIP	6KBRWTADB	6KBRWTAMB
1/2" HB	TEFLON® TIP	6KBUBWADB	6KBUBWBAMB
	ELASTOMER TIP	6KBUBWTADB	6KBUBWTAMB

**NOTES:**

- ELASTOMER IS USED AS A REFERENCE FOR MATERIALS LIKE EPDM, VITON®, RED SILICONE, CLEAR SILICONE AND KALTRAZ®

HANDLE	
HANDLE COLOR	PART #
RED	6C000DS — R
ORANGE	6C000DS — Z
YELLOW	6C000DS — Y
GREEN	6C000DS — G
BLUE	6C000DS — B
WHITE	6C000DS — W
BLACK	6C000DG — 0

LOCK SCREWS	
PART#	6B000HA

**NOTES:**

- 1 UNIT = (3) LOCK SCREWS + (1) ALLEN WRENCH

O-RING LUBE	
PART#	6Z0009

**NOTES:**

- PLEASE REFER TO FLT O-RING LUBE DATA SHEET FOR SPECIFICATION